



INFRARED SENSOR

We are now supplying a newer and more sensitive Infrared Sensor. With an increase in sensitivity of the sensor by about 50%, the range of locomotive control is also extended by about 50%.

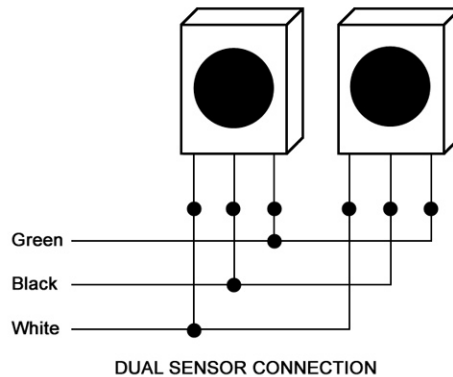
Many customers are locating two sensors in the cab of the loco, one facing each window. We are, therefore, supplying two sensors with each receiver.

We suggest that you try locating the sensor(s) in the cab and evaluating this location to see if it provides satisfactory operation before drilling any holes in the loco.

If two sensors are necessary, and the receiver you received had only one, RAIL-LYNX will supply the additional sensor at no charge. If two sensors are used they are wired in parallel (left lead to left lead, etc.) as shown below.

We hope that you can take advantage of this new development which should simplify installation and improve the appearance of your locos.

We are always trying to improve! Your suggestions are always welcome.



RAIL-LYNX

84 Belcher Road, Blairstown, NJ 07825-2106

Tel: 908-362-1139; Fax: 908-362-0184; Email: shawn@rail-lynx.com

Website: www.rail-lynx.com

User Group: <http://groups.yahoo.com/group/rail-lynx>

Revised: 3-14-2014